

The BS-series LED bulb has a molded aluminum alloy shell acting as a perfect heat sink for LEDs so as to extend the lifetime over 50,000hrs, which is 50 times longer than the conventional tungsten wire incandescent lamps. The BS series bulb contains a transparent diffuser cover to give out scattering and mild light rays to eyes.



The BS-Series LED bulb possesses a number of advantages over the conventional ones such as no flashing, no mercury, no environment pollution, no fragile glass, low heat, low voltage, high safety, quick response, high color-rendering index, and long lifetime. Compared with the conventional tungsten wire bulbs and fluorescent energy-saving bulbs, the BS-series LED bulbs result in a tremendous reduction of electricity by as much as 90% and 70%, respectively. The bulbs being equipped with various connection types such as E27, E14 and GU10 are well-suited for interior and residence illuminating in simple replacement for the conventional halogen, incandescent and fluorescent lamps directly.

Special Features

- Long lifetime 10-30 years (6 hours a day) leading to little maintenance required;
- Unique optical design leading to star-like beam of light rays;
- High luminaire efficiency over 90%;
- Superior color rendering index up to 90 near daylight quality;
- Power efficiency over 85%, Power factor over 0.85;
- Wide color of temperature range from 3000K--7000K available;
- Constant current and low-voltage drive mode leading to high safety and no flashing;
- Standard E14, E27 and GU10 interface;
- Green and environment-friendly: small heat, lead-free, no-mercury, no fragile glass, no environment-harmful materials;
- Tremendous energy saving: more than 90% electricity saving over conventional incandescent lamps and more than 70% electricity saving over conventional fluorescent energy-saving lamps.

Product catalog

Part no.	Light power	Supply voltage	Frequency	Interface
AL-BS02	2W	AC 110V/220V	50/60Hz	E14/E27/GU10
AL-BS03	3W	AC 110V/220V	50/60Hz	E14/E27/GU10
AL-BS04	4W	AC 110V/220V	50/60Hz	E14/E27/GU10
AL-BS05	5W	AC 110V/220V	50/60Hz	E14/E27/GU10
AL-BS06	6W	AC 110V/220V	50/60Hz	E14/E27/GU10
AL-BS07	7W	AC 110V/220V	50/60Hz	E14/E27/GU10

AL-BS05 Electrical Characteristics

item	Min.	Typ.	Max.	Note
Input Voltage (V)	90	110/220	240	
Electric Current (mA)	21.2	42.3/22.3	49.8	
Input Power (W)	4.1	110/220	4.65	
Light Power (W)	--	3	--	
Power Factor	0.9	0.92	0.94	
Power Efficiency	0.69	0.7	0.71	
THD	10%	12%	15%	
Current Error	1%	2%	5%	
Ripple Noise (V)	0.2	0.5	1	
Turn On Delay Time (S)	0.1	0.5	1	

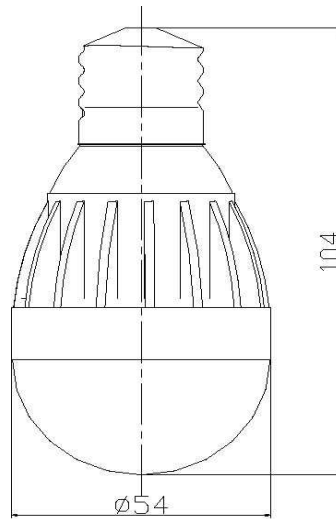
AL-BS03 Optical Characteristics

Item	Parameter
LED Lighting Efficiency	≥ 90 Lm/W
Initial Luminous Flux	≥ 190 Lm (Tj=25°C)
Maintained Luminous Flux	≥ 180 Lm (Tj=70°C, Ta=25°C)
Luminaire Efficiency	$\geq 88\%$
Color Rendering Index	≥ 80
Color Temperature	6000K-7000K

AL-BS03 Working Characteristics

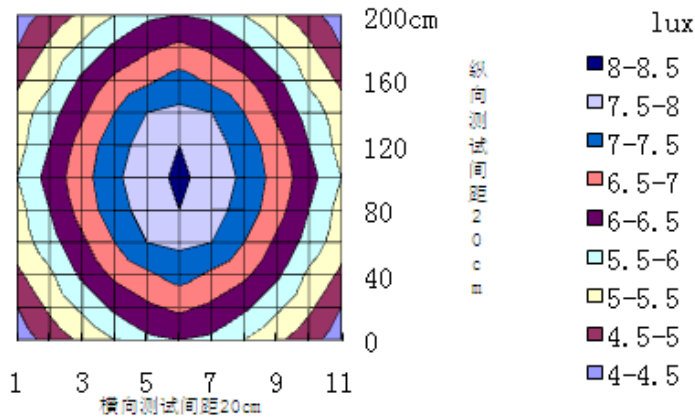
Item	Parameter
Working Temperature	-20°C-45°C
Storage Temperature	-40°C-85°C
Adaptive Humidity	$\leq 90\%$
MTBF	50000 hrs
Dimension	54mm * 104mm
Interface	E27
Weight	110g
Recommended Height	2.5m

AL-BS03 structure drawing



Light Distribution and Illuminance Chart

3W LED灯泡照度图 (2.5m)



Lumen depreciation curve

灯泡光衰曲线图

